



Features

- Compliant with SFP+ MSA
- Compliant with SFP MSA (INF-8074i)
- Support for multi-gigabit data rates up to 10.5Gbps
- Support for 1x, 2x, 4x and 8x Fiber Channel data rates
- Hot Pluggable SFP 20PIN footprint
- Serial ID module on MOD(0-2)
- AC coupling of PECL signals
- EMI/EMC performance
- Low Power consumption<0.5W
- RoHS Compliant

Applications

- Storage Area Networks(SAN), Network Attached Storage and Storage Servers
- 1G/2G/4G/8G Fiber Channel
- Switched fabric I/O such as ultra high bandwidth switches and routers
- Data center cabling infrastructure
- High density connections among network equipments

Absolute Maximum Ratings

Parameter	Symbol	Min.	Max.	Units	Note
Storage Temperature	T_s	-40	85	°C	
Supply Voltage	V_{cc3}	3.14	3.47	V	

Recommended Operating Conditions

Parameter	Symbol	Min.	Max.	Units	Note
Storage Temperature		-40	85	°C	
Operating Case Temperature	T_c	0	70	°C	
Supply Voltage	V_{cc3}	3.14	3.47	V	
Power Dissipation	PD		0.5	W	

Electrical Characteristics

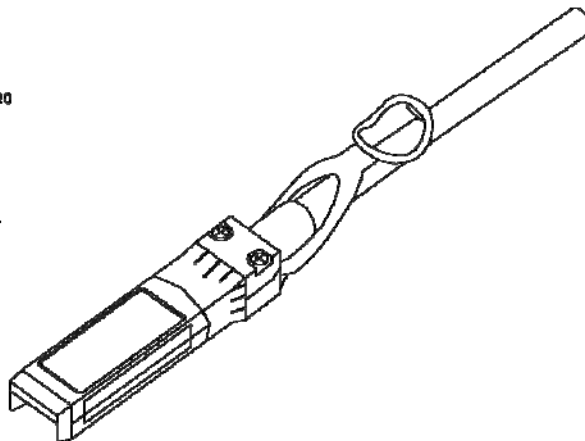
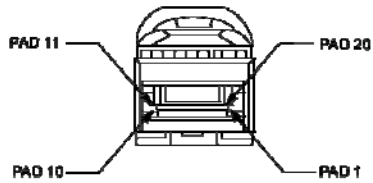
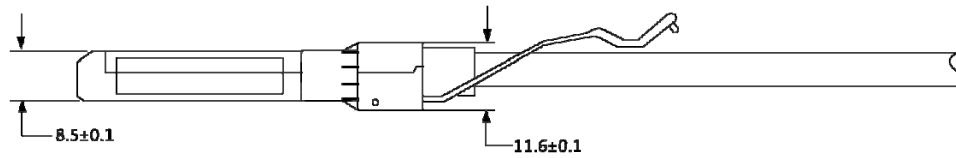
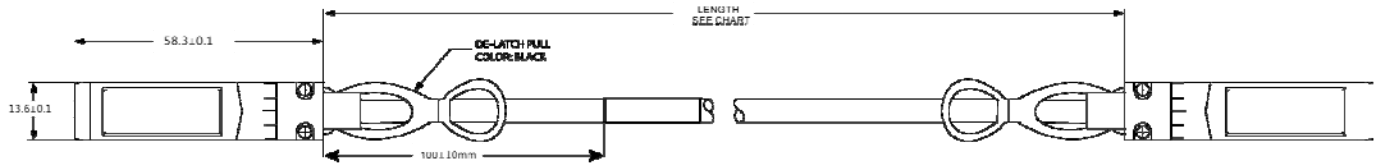
Parameter	Symbol	Min	Type	Max	Units	Notes
Supply Current	I _{cc}	-	-	100	mA	
Transmitter Differential Input Voltage (PECL)	V _{IN}	250	-	1200	mVpp	
Receiver Differential Output Voltage (PECL)	V _O	185	-	1000	mVpp	
Impedance	Z _{cable}	90	100	110	Ohms	
MOD-DEF1, 2	V _{IH}	2.0	-	V _{cc}	V	

Note: The supply current includes SFP Module's supply current and test board working current.

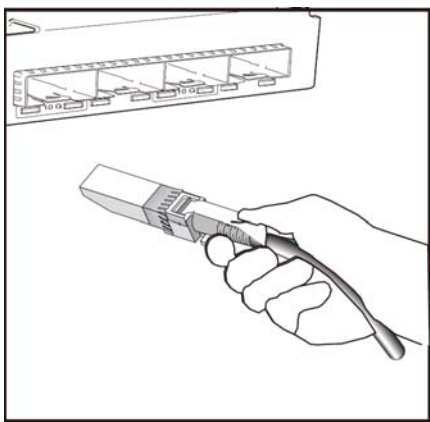
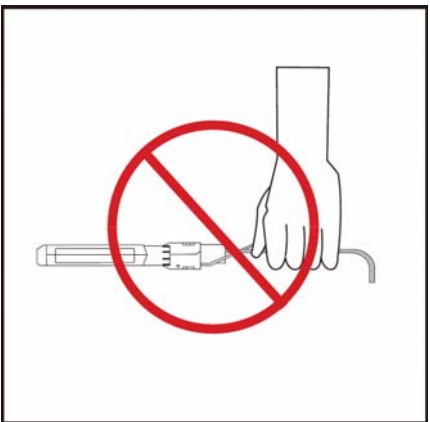
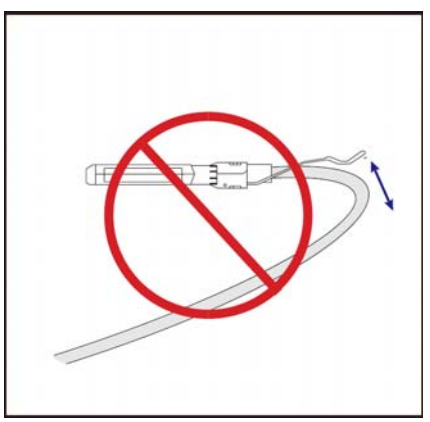


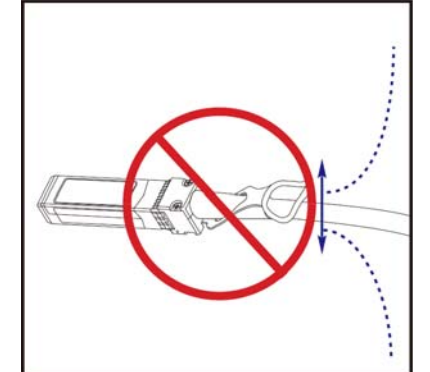
Physical Data

Parameter	Description	30AWG	24AWG	Units
Cable Diameter	OD	4.5	6.5	mm
Bend Radius	Minimum Sustained Bend	25	35	mm

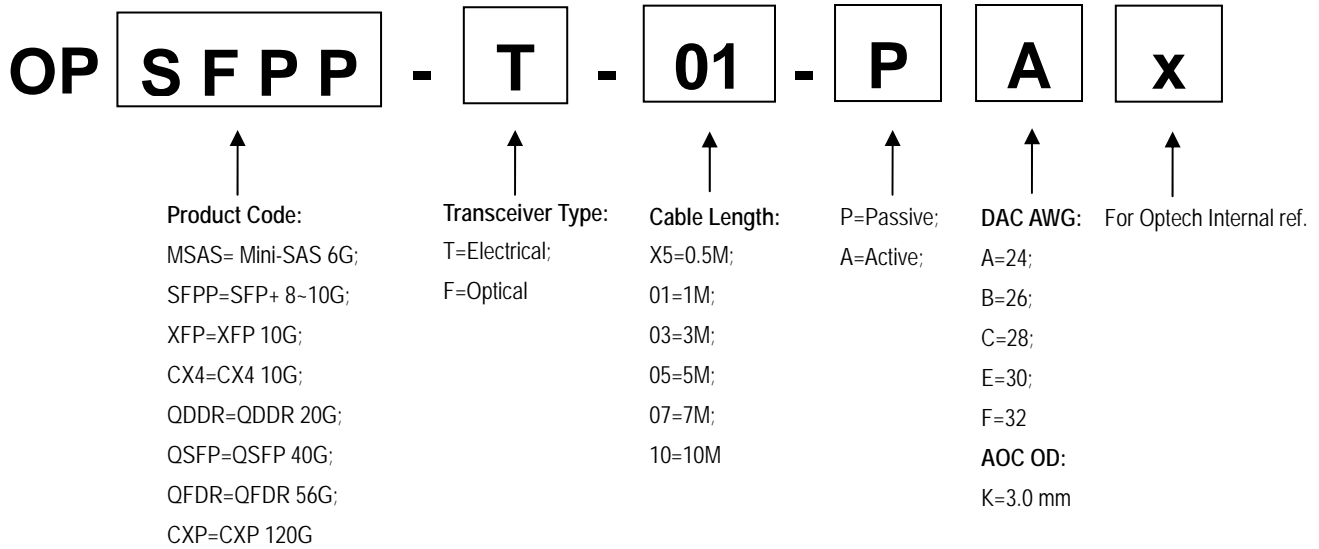
Dimensions



Important Notice

		
<p>Holding the SFP+ connector by its sides, insert the connector into the port on the switch</p>	<p>Do not handle by cable</p>	<p>DO NOT Over-bend the cable behind the connector</p>
		
<p>DO NOT twist the cable</p>	<p>DO NOT kink the cable</p>	<p>DO NOT bend up and down the cable</p>

Ordering Information



Part Number	Model Number	Length (M)	AWG	Voltage	Temprature
OPSFPP-T-X5-PE	Twinax Copper	0.5	30	3.3V	0°C to 70 °C
OPSFPP-T-01-PE	Twinax Copper	1	30	3.3V	0°C to 70 °C
OPSFPP-T-03-PE	Twinax Copper	3	30	3.3V	0°C to 70 °C
OPSFPP-T-05-PE	Twinax Copper	5	30	3.3V	0°C to 70 °C
OPSFPP-T-05-PA	Twinax Copper	5	24	3.3V	0°C to 70 °C
OPSFPP-T-07-PA	Twinax Copper	7	24	3.3V	0°C to 70 °C

Note: All information contained in this document is subject to change without notice.