



### Features

- Power consumption=Class 1 ~ Class 7 or 0
- Operation up to 25Gbps per lane
- Dual Color LED indicator
- Signal Attenuation(ex:0 dB, 3dB,6dB~customized)
- Custom Memory Maps
- Supports 100Gbps total data rate
- Hot-pluggable MSA footprint
- Fully SFF -8436 MSA Compliant
- Temperature range from 0° to 80° C
- SONET/SDH, Ethernet, FC and IB Compliant
- MSA Compliant EEPROM

### Applications

- QSFP Port/System testing
- Server blade testing
- ITU-T Recommendation G.957 (STM-1, 4 & 16)...
- Ethernet IEEE 802.3 (Gigabit, 10 Gigabit , 40 Gigabit and 100 Gigabit Ethernet).
- SDR, DDR ,QDR and EDR.

### Benefits

- Economical QSFP/QSFP+ Port Testing
- Custom Memory Maps
- Board Level System Testing
- Power On Validation
- Excellent Signal Integrity
- Replaces up to 4 standard SFP+ transceivers

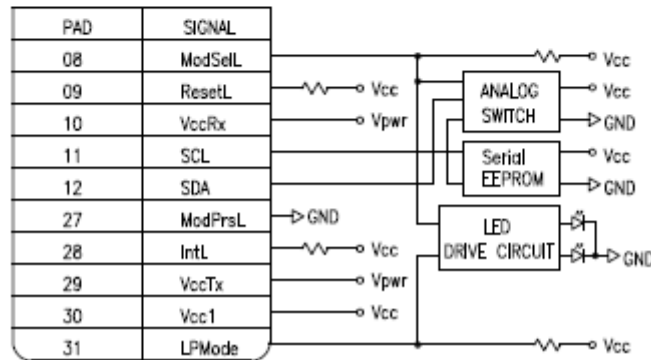
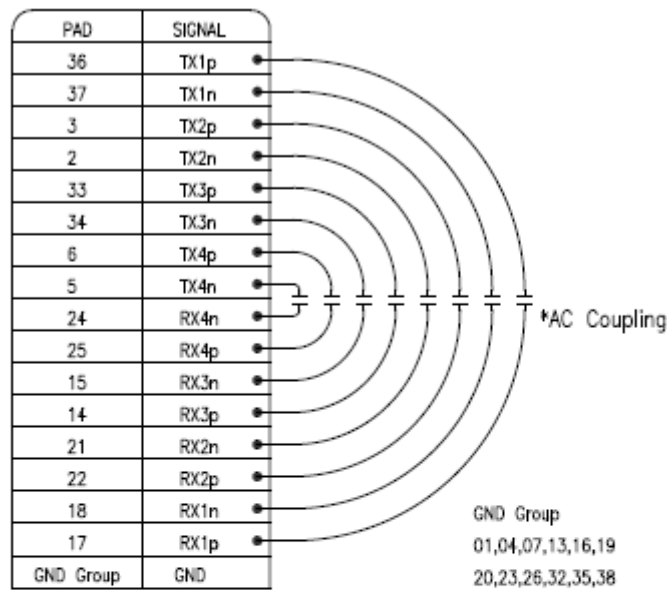
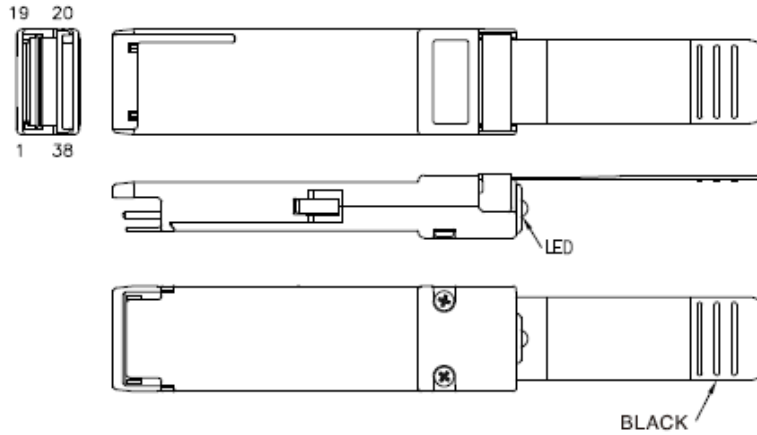
### Memory Map

In addition to the electrical loopback function, provides a MSA standard 2-wire serial communication interface for memory map loading of our 256kB EEPROM.

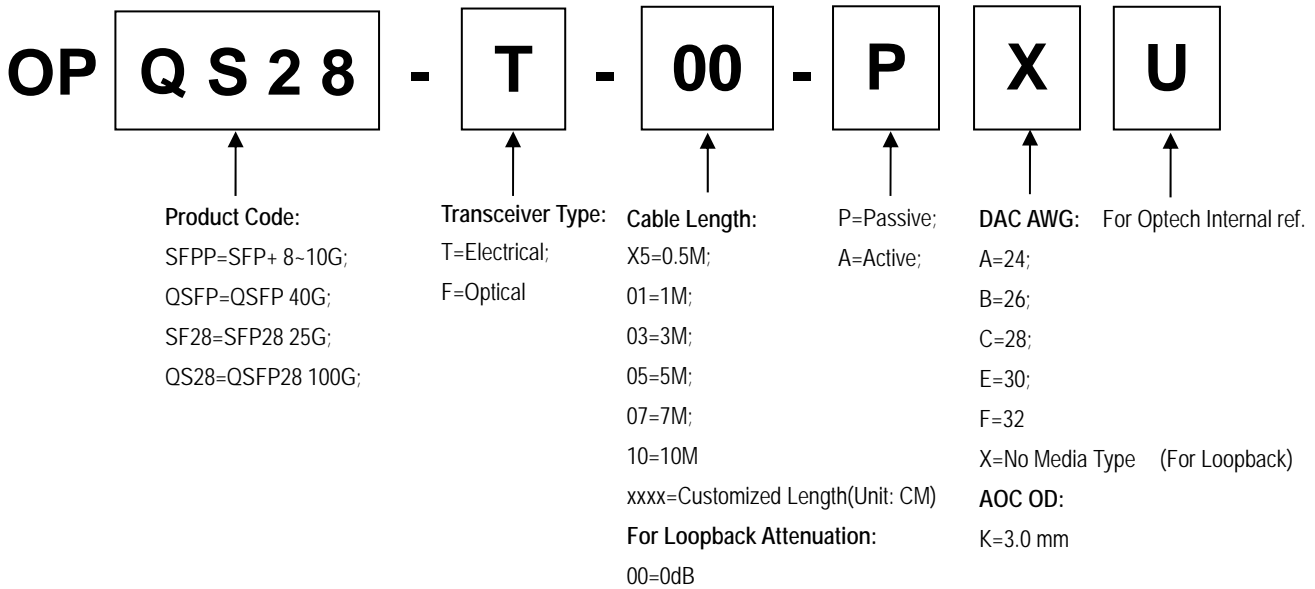
### LED Indicators

- **Green (Solid)** – Low power mode.
- **Yellow (Solid)** – Normal mode.
- **RED (Solid)** – Module SELECTED.

**Dimensions**



**Ordering Information**



**Note: All information contained in this document is subject to change without notice.**